



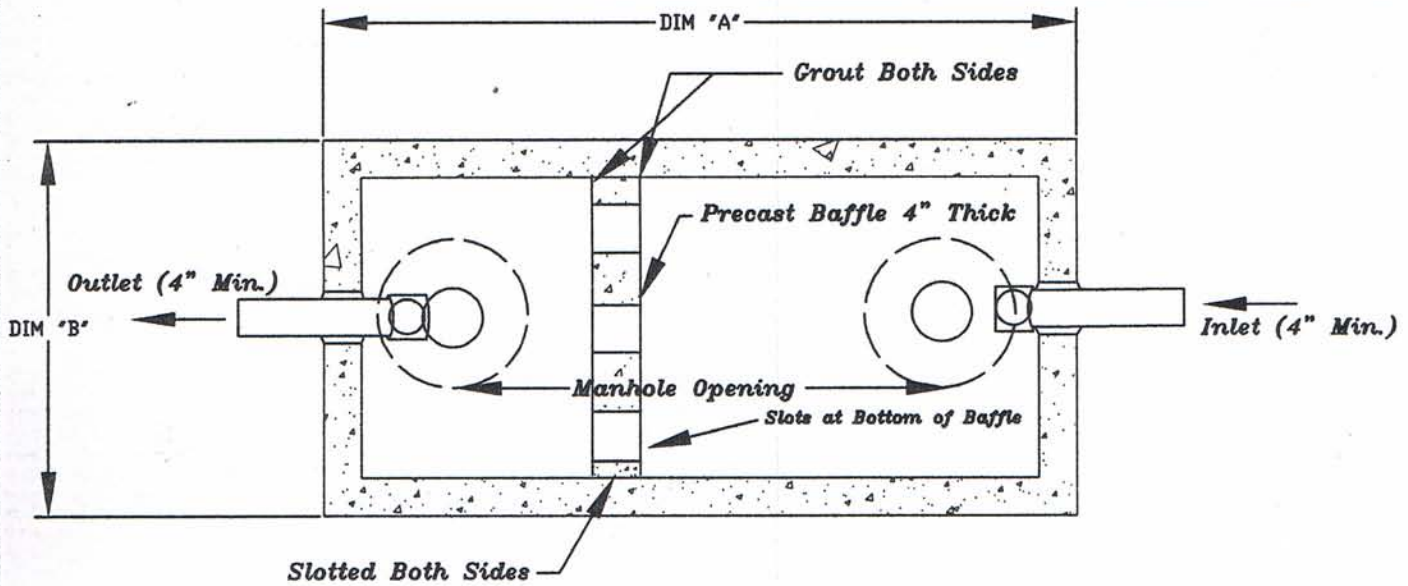
LONDON UTILITY COMMISSION

GREASE TRAP SPECIFICATIONS

***CONTACT : JAMES POINDEXTER
LONDON WASTEWATER TREATMENT PLANT
TELEPHONE: 606 864-7611***

*Revised Sept 12, 2006,
Revised Oct 18, 2007*

*J. R. Hoe MC 350 (Vulcan # 1345) Outside Vehicular Traffic Areas
 And J. R. Hoe MC 425 in all Vehicular Traffic Areas
 Air and Gas Tight. Manhole Cover Shall be Labeled "Grease Trap".*



PLAN VIEW

Typical Grease Trap Detail

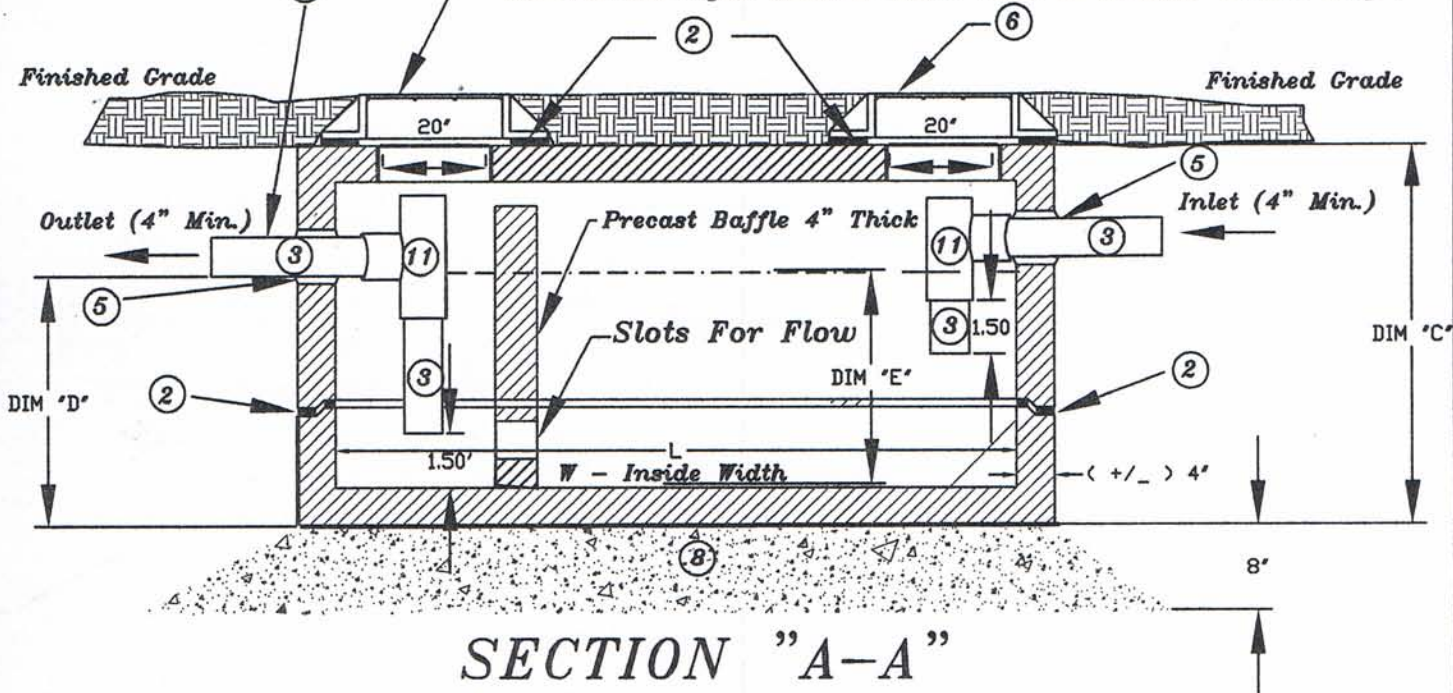
- 1 Concrete 28 Days 4500 psi.
- 2 Rebar : ASTM A615 Grade 60.
- 3 MESH : ASTM A185 Grade 65.
- 4 Design : AC1318 - 83 Building Code.
 ASTM C - 857 Minimum Structural Design.
 Loading for Underground Precast.
 Concrete Utility Structures.
- 5 Loads : 11 - 20 Truck Wheel w/30% Impact Per AASHTO.
- 6 Fill w/Clean Water Prior to Startup of System.
- 7 Contractor to Supply & Install All Piping and Sanitary Tees.
 4 Cleanouts, for Cleaning Towards Trap and Cleaning Away
 From Trap on Both the Inlet and Outlet/Alt. Dual Sweep Cleanouts.
- 8 Gray Water Only, Black Water Shall Be Carried by Separate Sewer.
 Designed to Support Vehicular Loads.

London
 Utility
 Commission

Typical Grease Trap Detail

Scale:	None
Date:	July 25, 2005
File Name:	Grease
Drawn By:	DGH
Approved By:	JEP
Sheet No.:	1 of 4

J. R. Hoe MC 350 (Vulcan # 1345) Outside Vehicular Traffic Areas
 And J. R. Hoe MC 425 in all Vehicular Traffic Areas
 Air and Gas Tight. Manhole Cover Shall be Labeled "Grease Trap".



SECTION "A-A"

Typical Grease Trap Detail

- 1 Minimum Grease Trap Size Shall be 1000 Gallons. Size shall be determined by the London Utility Commission during approval process. Size of Grease Trap will be determined on Type and volume of proposed use.
- 2 Place Conseal Sealant Between Joints.
- 3 Install All Plumbing As Shown In This Detail (4" Min. Size Of Pipe Fittings).
- 4 Grout All Joints Inside and Outside Of Grease Trap.
- 5 Use Non-Shrink Grout Around Inlet and Outlet Pipes.
- 6 See LUC Typical Sewer Detail - Manhole Frame and Cover.
- 7 Coat Entire Exterior of Grease Trap With A Bituminous Foundation Coating And Allow To Dry Before Backfilling.
- 8 Set Grease Trap On Ky No. 57 or Smaller Crushed Stone. Minimum of 8 Inches.
- 9 Length (L) x Width (W) x Height (H) >134 Cubic Feet.
- 10 Provide The LUC With A Copy Of The Shop Drawings For All Grease Traps Other Than Manufactured By Hensley Septic Tanks LLC, Barboursville, Ky and Cloud Concrete Products, Lexington, Ky. Also C R Barger & Sons, Inc Harriman, Tn
- 11 With Pre-Cast Baffel and Install 4" Schedule 40 PVC Tee and Pipe at inlet and outlet. Designed to Support Vehicular Loads.
- 12 Grease Trap Shall Be Protected From Vehicular Traffic.
- 13 Construct Cleanout on Outlet & Inlet Pipe per LUC Typical Cleanout Detail

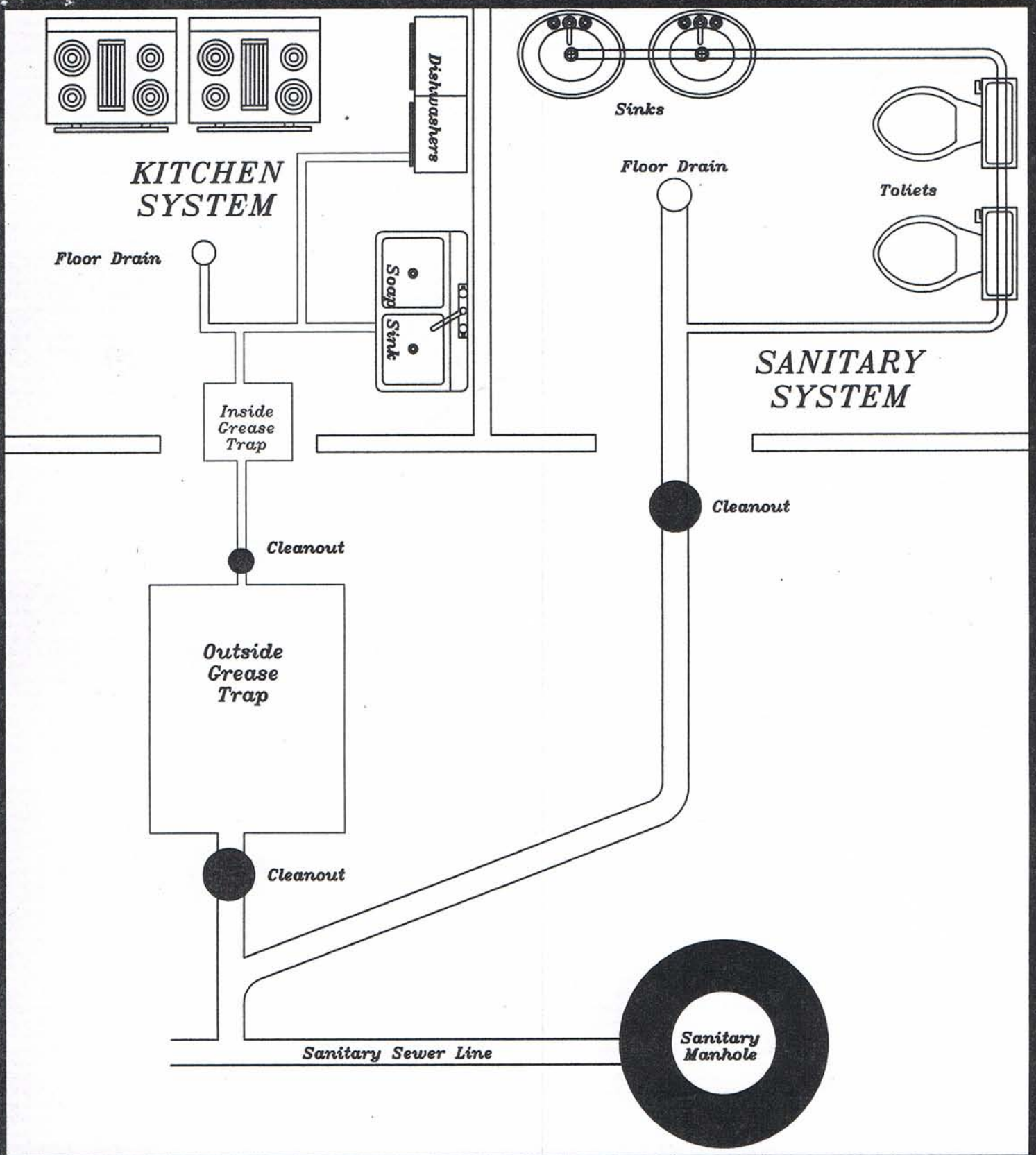
<p>London Utility Commission</p>	<p>Typical Grease Trap Detail</p>	Scale: None
		Date: July 25, 2005
		File Name: Grease
		Drawn By: DGH
		Approved By: JEP
		Sheet No.: 2 of 4

LONDON UTILITY COMMISSION

GREASE TRAP

SIZING CHART

SIZING CHART					
GALLON CAPACITY	DIM "A"	DIM "B"	DIM "C"	DIM "D"	DIM "E"
1000	9'-0"	5'-0"	7'-0"	4'-2"	3'-10"
1250	9'-0"	5'-0"	7'-0"	5'-2"	4'-10"
1500	11'-2"	5'-8"	7'-0"	4'-4"	4'-0"
1750	11'-2"	5'-8"	7'-0"	4'-11"	4'-7"
2000	12'-8"	6'-8"	8'-0"	4'-7"	3'-10"
2500	12'-8"	6'-8"	8'-0"	5'-6"	4'-0"
2750	12'-8"	6'-8"	8'-0"	5'-0"	5'-3"
3000	15'-7"	9'-7"	8'-6.5"	5'-0"	3'-8"
4000	15'-7"	9'-7"	8'-6.5"	5'-3"	5'-0"
5000	19'-11"	9'-11"	8'-11"	5'-2"	4'-0"
6000	19'-11"	9'-11"	10'-5"	7'-2"	5'-0"



London
Utility
Commission

*Typical Grease Trap Detail
Separation of Gray Water
and Sanitary Sewer*

Scale:	None
Date:	July 25, 2005
File Name:	Grease
Drawn By:	DGH
Approved By:	JEP
Sheet No.:	4 of 4